

Key Features

- **Full Distribution Options**— means that any combination of distribution circuit breakers or fuses may be provided
- **Redundant Low Voltage Disconnect**—provides battery protection with dual control circuits for increased system protection
- **Wide Capacity Range**— eliminates the need for the over-provisioning of power by specifying a system capacity to meet specific load requirements
- **Complete System Control**— with an easy-to-read digital meter/control and alarm panel and optional SMART microprocessor control and monitoring unit
- **Seismic Zone 4 Bracing**— available seismic configurations provide the added stability required in earthquake zones
- **Space Efficient Components**—result in more open rack or box framework space for distribution panels and rectifiers
- **Power System Control Functions**—offered on an optional basis allows the customizing of a system to meet the requirements of a small, customer premise application to a full-scale central office or wireless application
- **Rear Access Design**— provides cost and space efficiency for all applications where rear accessibility is preferred



50-1600 amp, $\pm 24/-48$ VDC Power Systems

Description

This Lorain® model 1231A2 DC power systems are designed for rear access applications requiring 50-1600 amps of output capacity at ± 24 or -48 volts. The systems are offered with a full range of power system options and distribution choices, including SMART microprocessor control and monitoring units.

Power system configurations are designed for 23" (58.42cm) wide relay rack mounting in heights from 7' to 11'6" (2.13m to 3.51m). A 7' (2.13m) height box framework may be selected in a variety of widths and depths.

Furnished with these systems as standard equipment are a digital meter, control and alarm panel that provides system load and voltage readings, and LED indicators to provide a full complement of local alarms including major/minor rectifier failure, overcurrent conditions, distribution fuse/circuit breaker failure and high/low voltage conditions. Also provided are the ground return bar, distribution bus bar and input termination assemblies.

Application

The Lorain $\pm 24/-48$ volt, 50-1600 amp DC power systems are designed for powering DC equipment for applications in the switch site, cellular site, remote locations, and customer premise.

Additional Information

For additional specification, engineering and installation information, specify model & spec. number as follows:

Model Number 1211A2:

-24V (Gray) — spec. number 581101401

+24V (Gray) — spec. number 581101601

Model Number 1231A2:

-48V (Gray) — spec. number 582106501

-48V (Off-White) — spec. number 582106502

Request drawings J581101601 (+24V), J581101401 (-24V),

J582106501 (-48V gray) or J582106502 (-48V off-white)

for complete system ordering details.

Request DGU J-drawings for accessories (J586501600 gray;

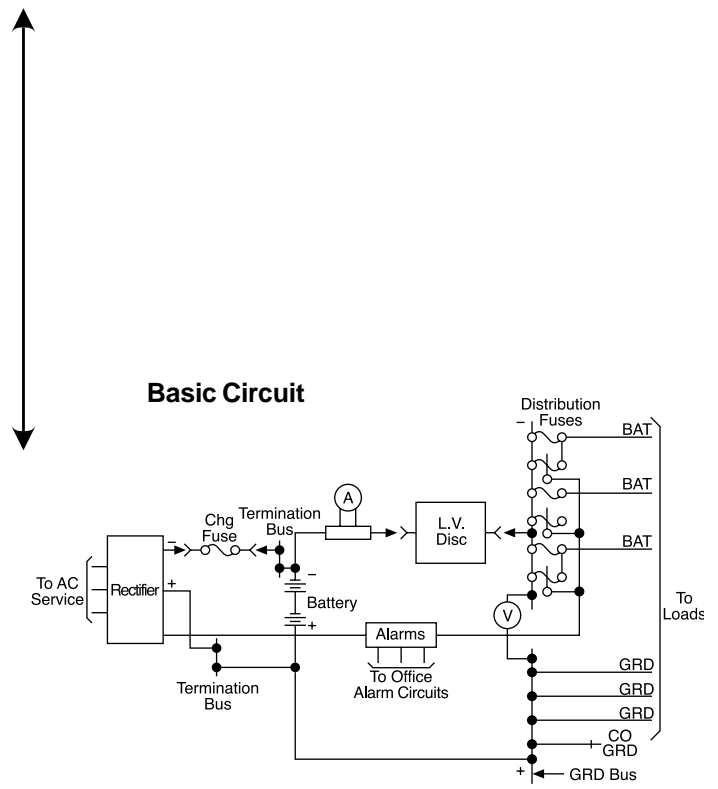
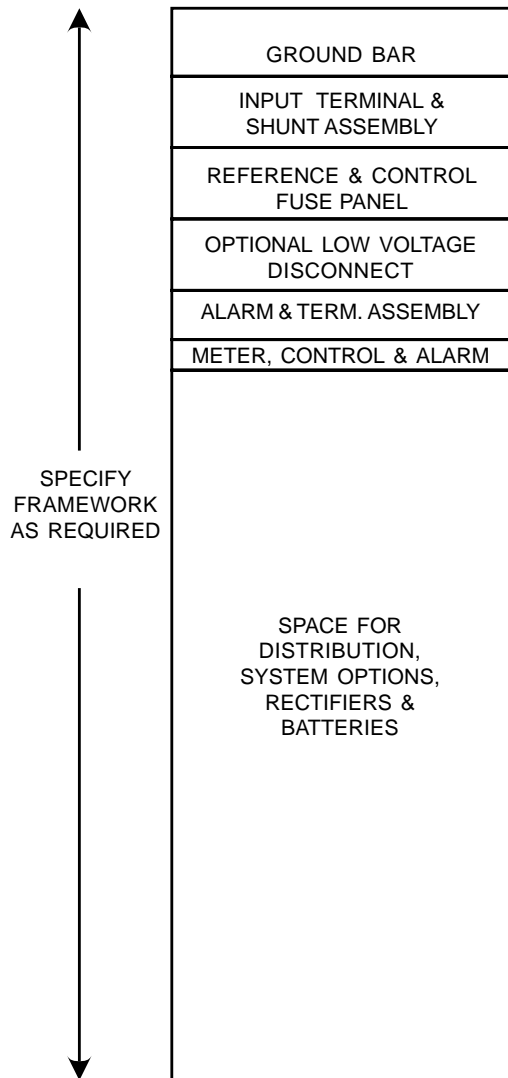
J586502300 off-white).

Model 1231A2



50-1600 amp, ±24/-48 VDC Power Systems

Typical System Layout



www.marconi.com/power
Marconi Communications
 1122 F Street
 Lorain, OH 44052
 800-800-1280
 Fax: 440-246-4876

Lorain® is a trademark of Marconi Communications Inc.
 © 2000 Marconi Communications Inc.
 Printed in the USA. All rights reserved. Any unauthorized reproduction or transmission without the prior consent of Marconi Communications Inc. is prohibited.