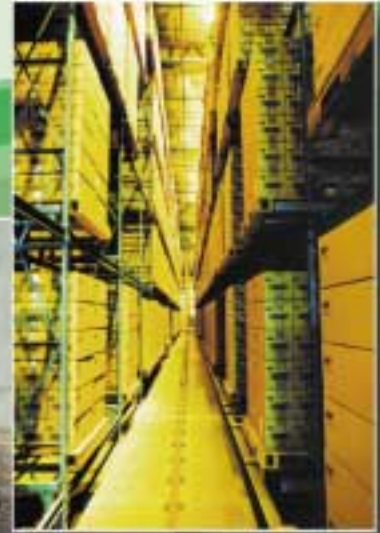




SCR Cell

The Power of Excellence

The Colt is a fully automatic battery cell charger with auto refresh, auto start and auto shutdown features plus selectable 80% voltage settings based on chosen profile.



Materials Handling





Colt SCR Cell

Advanced fully integrated SCR microprocessor control with four selectable onboard charging profiles. Automatically refreshes its charge in the flooded profile for 30 minutes every 24 hours.

Features & Benefits

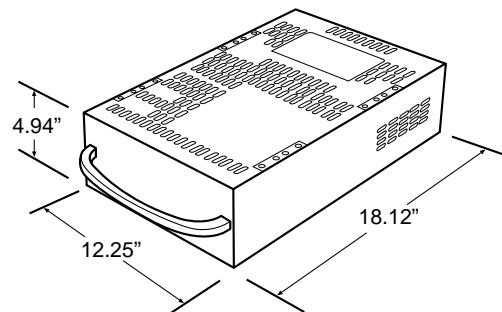
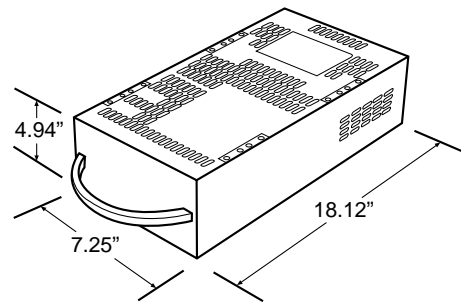
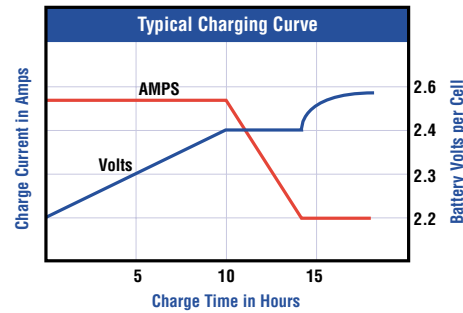
- Fully integrated SCR microprocessor control with four selectable onboard charging profiles
- Automatic refresh charge in the selectable flooded profile for 30 minutes every 24 hours
- Auto start with five second delay
- Automatic shutdown for the following conditions
 - 80% charge does not occur within sixteen hours
 - Volts per cell are too high or too low
 - Charging current is too low
 - Battery cable is disconnected while charging

CAUTION: DISCONNECTING THE BATTERY FROM THE CHARGER DURING THE CHARGE CYCLE WITHOUT MANUALLY STOPPING THE CHARGER CAN CAUSE DAMAGE TO BOTH OPERATORS AND EQUIPMENT AND VOID THE WARRANTY

- Selectable 80% voltage settings based on chosen profile
- Digital display for showing;
 - Charge current
 - Fault codes
- Multi color LED's indicating charging status, equalization mode, and fault shutdown
- Red push button for manual shutdown
- Manual equalize button
- Splash resistant top surface
- Supplied with detachable 120 volt line cord
- UL Recognized

Warranty

- See Warranty Certificate for information



**APPLIED ENERGY
SOLUTIONS**

One Technology Place
Caledonia, New York 14423
Tel: 585-538-4421
Fax: 585-538-6345

800-836-2132

www.appliedenergysol.com

